



LED lighting  
Professional Manufacturer

# Specification For Approval

---



**SUZHOU JOLIGHTING CO.,LTD**

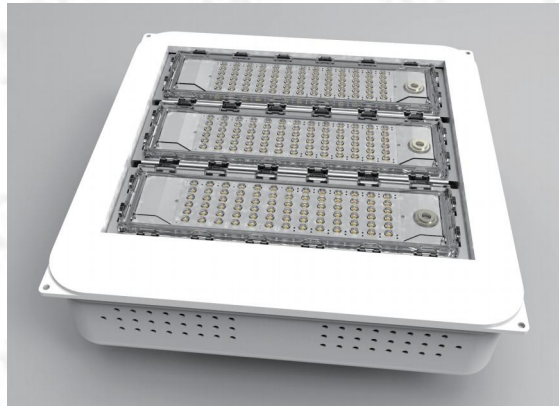
TEL:86-512-50338605

FAX:86-512-50338608

MAIL:info@jolighting.com

WEB: www.jolighting.com

ADDRESS: Yishen Road 83, Shipai Town, Kunshan 215312 China



Customer Name:

Supplier Name: SuZhou Jolighting co.,Ltd

Product Name: LED Ceiling Light(NS-FB06101 80-150W)

Effective Date:

Supplier		Customer confirmation	
prepared		OK <input type="checkbox"/>	
		NG <input type="checkbox"/>	
audit		audit	
approval		approval	

Both parties shall sign and seal the specification for approval after confirming it qualified.

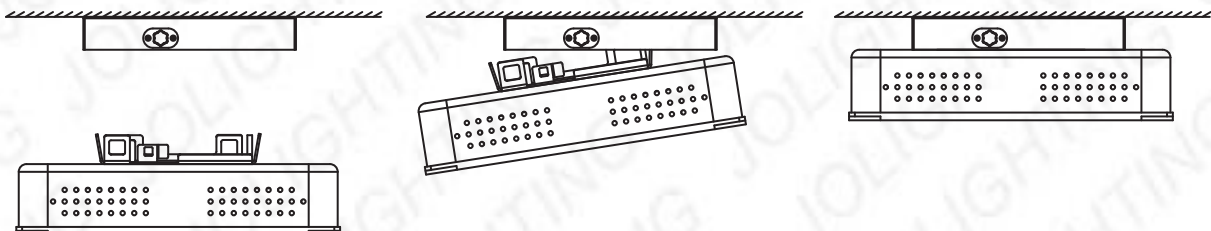
**1.Specification**

Product Code	NS-FB06101-80	NS-FB06101-100	NS-FB06101-120	NS-FB06101-150	
Chip Model& Quantity	Philips/LUXEON 3030 2D or LG/LEMWS36X 156PCS	Philips/LUXEON 3030 2D or LG/LEMWS36X 156PCS	Philips/LUXEON 3030 2D or LG/LEMWS36X 234PCS	Philips/LUXEON 3030 2D or LG/LEMWS36X 234PCS	
Number of modules	2Modules	2Modules	3Modules	3Modules	
Color Temperature	5000K	5000K	5000K	5000K	
LM70	>36000h	>36000h	>36000h	>36000h	
CRI	70 <sup>+</sup>	70 <sup>+</sup>	70 <sup>+</sup>	70 <sup>+</sup>	
luminous efficiency	130LM/W	130LM/W	130LM/W	130LM/W	
Luminous Flux	10400LM	13000LM	15600LM	19500LM	
Driver Brand	MEAN WELL ELG-100-36A	MEAN WELL ELG-100-36A	MEAN WELL ELG-150-36A	MEAN WELL ELG-150-36A	
Beam Angle	60° 120°	60° 120°	60° 120°	60° 120°	
Power Input	220-240VAC 50/60HZ	220-240VAC 50/60HZ	220-240VAC 50/60HZ	220-240VAC 50/60HZ	
Working Temp.	-30-50℃	-30-50℃	-30-50℃	-30-50℃	
IP Rating	IP65	IP65	IP65	IP65	
Certification	CE	CE	CE	CE	
Life Time	60000h	60000h	60000h	60000h	
Warranty	5Years	5Years	5Years	5Years	
Switching Cycles	100000	100000	100000	100000	
Packing size & Weight	Surface mounling	364*364*149.5mm	364*364*149.5mm	364*364*149.5mm	364*364*149.5mm
	Recessed mounting	423*423*120mm	423*423*120mm	423*423*120mm	423*423*120mm
Container Loading	Surface mounling	20GP 1836PCS/40HC 2040PCS	20GP 1836PCS/40HC 2040PCS	20GP 1836PCS/40HC 2040PCS	20GP 1836PCS/40HC 2040PCS
	Recessed mounting	20GP 1260PCS/40HC 1470PCS	20GP 1260PCS/40HC 1470PCS	20GP 1260PCS/40HC 1470PCS	20GP 1260PCS/40HC 1470PCS

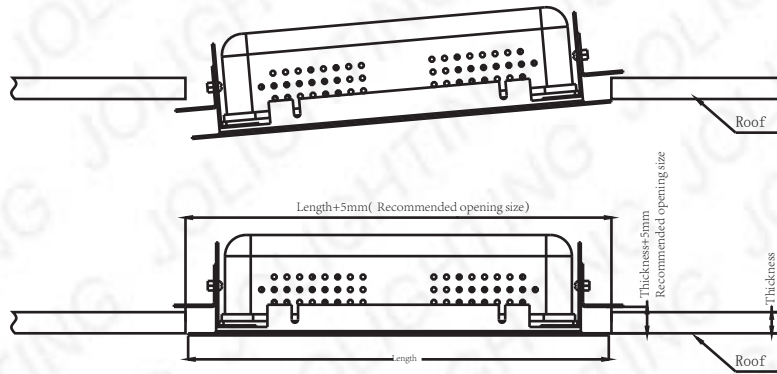
Note: 2700K/3000K/3500K/4000K/5700K/6500K can be customized upon request.

**2.Installation method**

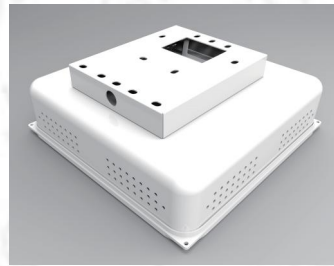
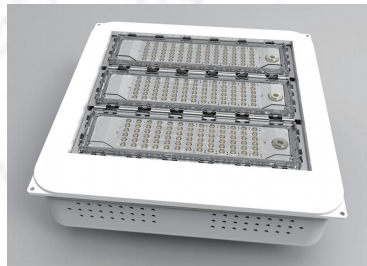
Surface mounling Install as follows:



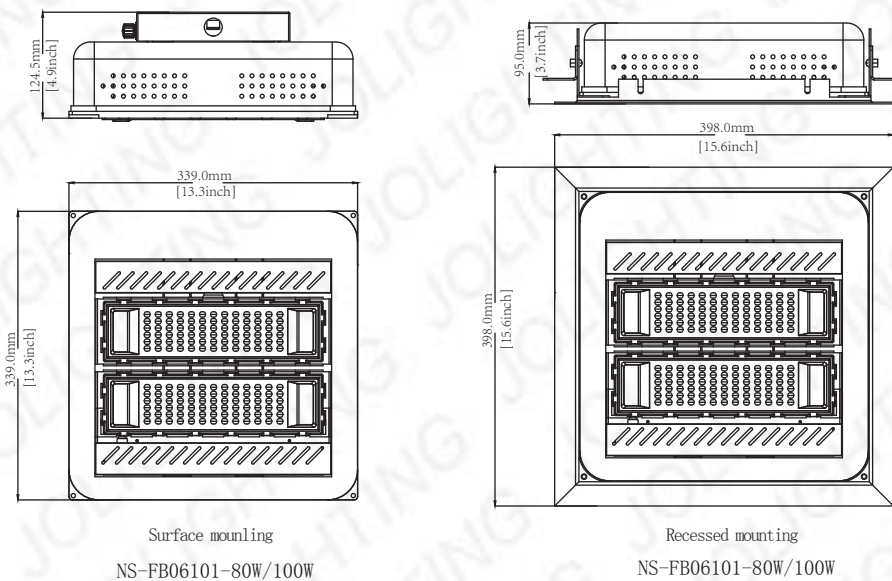
Ecessed mounting Install as follows:



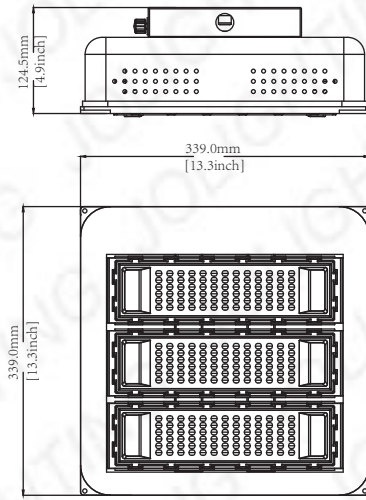
**3.Product Photos**



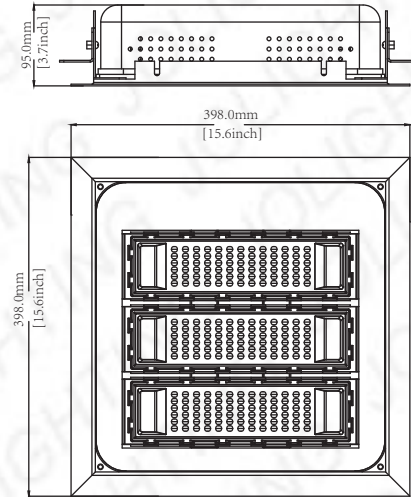
**4.Product Basic Diagram**





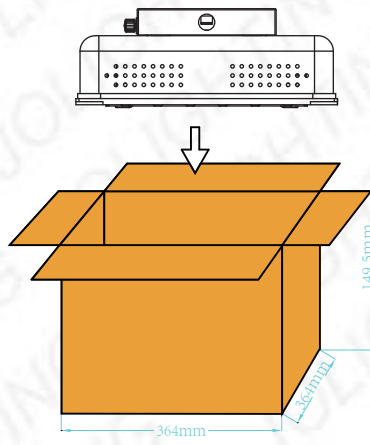


Surface mounting  
NS-FB06101-120W/150W

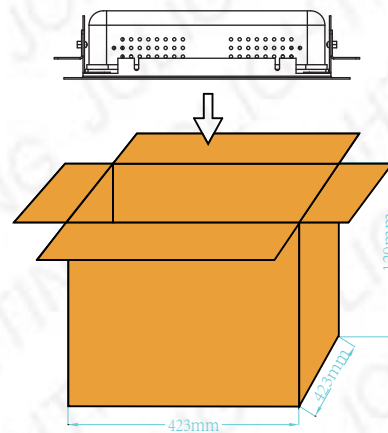


Recessed mounting  
NS-FB06101-120W/150W

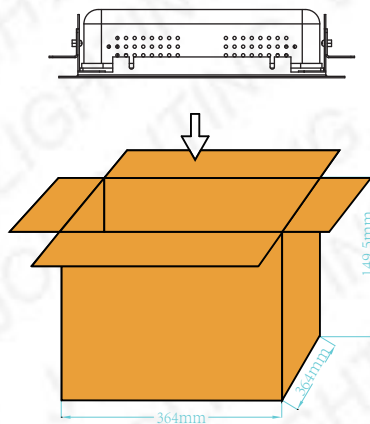
**5. Packaging**



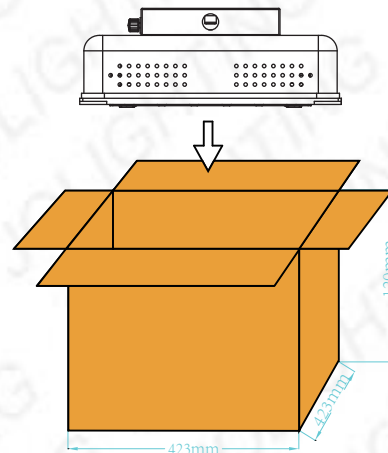
NS-FB06101-80W/100W



NS-FB06101-120W/150W



NS-FB06101-80W/100W



NS-FB06101-120W/150W