



LED lighting
Professional Manufacturer

Specification For Approval



SUZHOU JOLIGHTING CO.,LTD

TEL:86-512-50338605

FAX:86-512-50338608

MAIL:info@jolighting.com

WEB: www.jolighting.com

ADDRESS: Yishen Road 83, Shipai Town, Kunshan 215312 China



Customer Name:

Supplier Name: SuZhou Jolighting co.,ltd

Product Name: LED Area Luminaire(NS-QC13100 80W-240W)

Effective Date:

Supplier		Customer confirmation	
prepared		OK <input type="checkbox"/>	
		NG <input type="checkbox"/>	
audit		audit	
approval		approval	

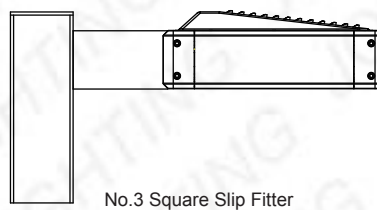
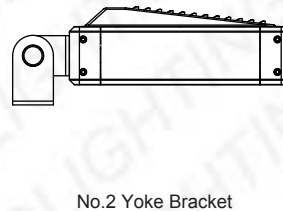
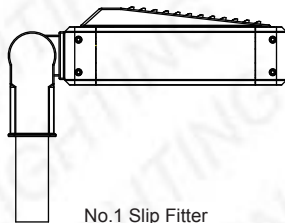
Both parties shall sign and seal the specification for approval after confirming it qualified.

1.Specification

Product Code	NS-QC13100-80	NS-QC13100-100	NS-QC13100-120	NS-QC13100-150	NS-QC13100-200	NS-QC13100-240
Chip Model& Quantity	CREE 30PCS 2module 15S2P	CREE 30PCS 2module 15S2P	CREE 60PCS 4module 15S4P	CREE 60PCS 4module 15S4P	CREE 60PCS 4module 15S4P	CREE 60PCS 4module 15S4P
Color Temperature	5000K	5000K	5000K	5000K	5000K	5000K
LM90	>36000h	>36000h	>36000h	>36000h	>36000h	>36000h
CRI	70 ⁺	70 ⁺	70 ⁺	70 ⁺	70 ⁺	70 ⁺
Power	80W	100W	120W	150W	200W	240W
luminous efficiency	100LM/W	100LM/W	100LM/W	100LM/W	100LM/W	100LM/W
Luminous Flux	8000LM	10000LM	12000LM	15000LM	20000LM	24000LM
Driver Brand	Meanwell ELG-100-48A	Meanwell ELG-100-48A	Meanwell ELG-150H-48A	Meanwell ELG-150H-48A	Meanwell ELG-200H-48A	Meanwell ELG-240H-48A
Power Input	220-240VAC 50/60HZ	220-240VAC 50/60HZ	220-240VAC 50/60HZ	220-240VAC 50/60HZ	220-240VAC 50/60HZ	220-240VAC 50/60HZ
Working Temp.	-30-50°C	-30-50°C	-30-50°C	-30-50°C	-30-50°C	-30-50°C
IP Rating	IP65	IP65	IP65	IP65	IP65	IP65
Certification	CE/SAA	CE/SAA	CE/SAA	CE/SAA	CE/SAA	CE/SAA
Life Time	60000h	60000h	60000h	60000h	60000h	60000h
Warranty	5Years	5Years	5Years	5Years	5Years	5Years
Switching Cycles	100000	100000	100000	100000	100000	100000
Packing size & Weight	585*365*165mm/8.5kg	585*365*165mm/8.5kg	585*480*165mm/11kg	585*480*165mm/11kg	585*480*165mm/11kg	585*480*165mm/11kg
Container Loading	20GP 780PCS/40HC 1860PCS	20GP 780PCS/40HC 1860PCS	20GP 642PCS/40HC 1440PCS	20GP 642PCS/40HC 1440PCS	20GP 642PCS/40HC 1440PCS	20GP 642PCS/40HC 1440PCS

Note: 3000K/4000K/5700K/6500K can be customized upon request.

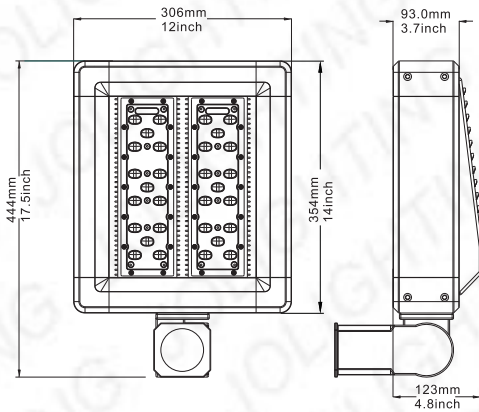
2.Installation method



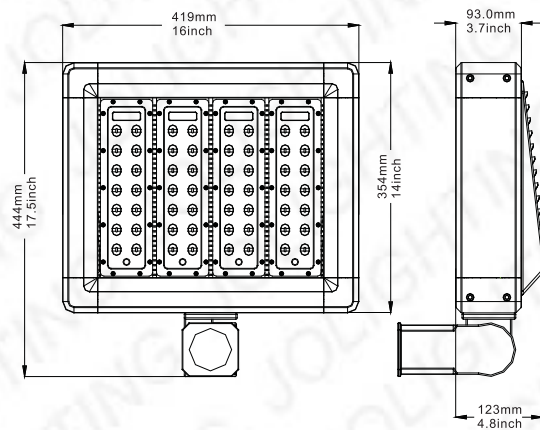
3.Product Photos



4.Product Basic Diagram

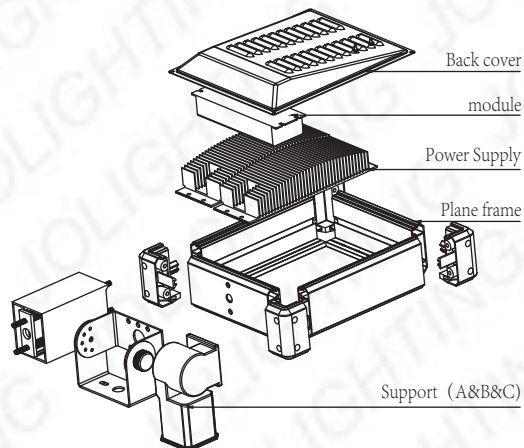


NS-QC13100 80/100W

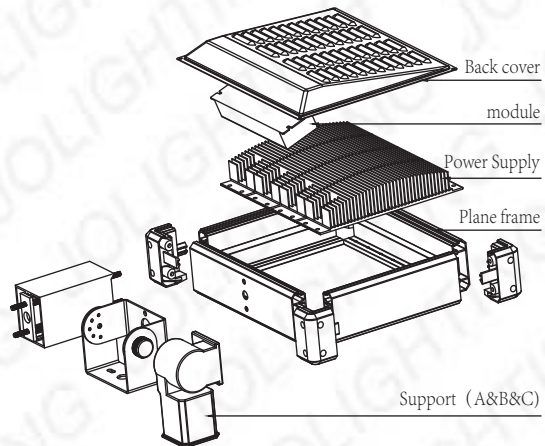


NS-QC13100 120/150W/200W/240W

5.Product Explosion Diagram



NS-QC13100 80/100W



NS-QC13100 120/150W/200W/240W

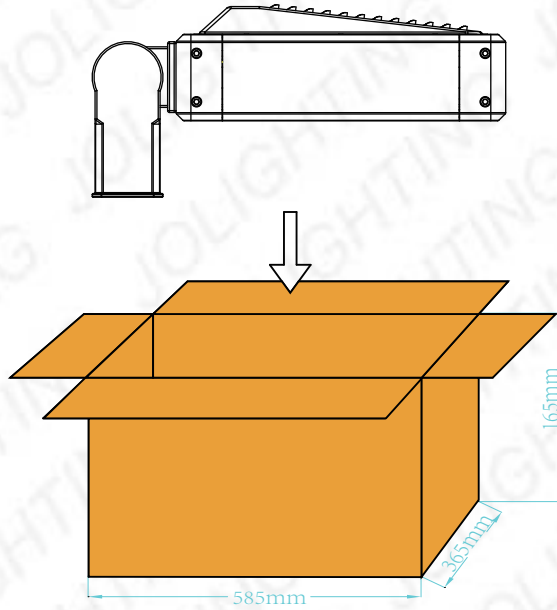


JOLIGHTING

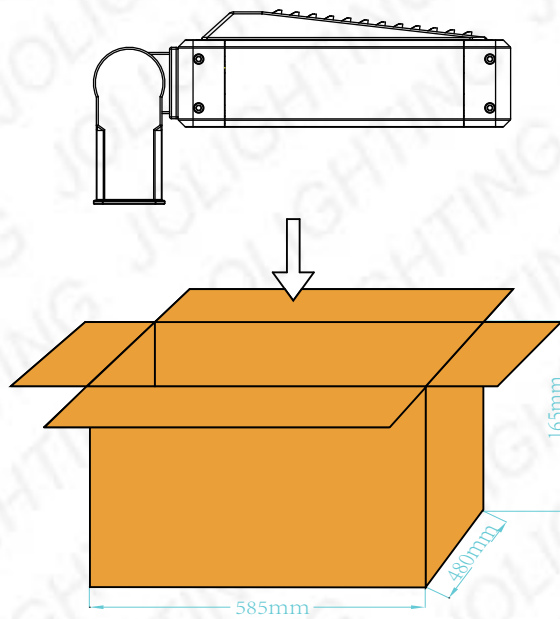
Specification For Approval

6.Packaging

NS-QC13100 80/100W



NS-QC13100 120/150W/200W/240W



Product Code	NS-QC13100-80	NS-QC13100-100	NS-QC13100-120	NS-QC13100-150	NS-QC13100-200	NS-QC13100-240
Container Loading	20GP 780PCS/40HC 1860PCS	20GP 780PCS/40HC 1860PCS	20GP 642PCS/40HC 1440PCS	20GP 642PCS/40HC 1440PCS	20GP 642PCS/40HC 1440PCS	20GP 642PCS/40HC 1440PCS