



JOLIGHTING

LED lighting
Professional Manufacturer

Specification For Approval



SUZHOU JOLIGHTING CO.,LTD

TEL:86-512-50338605

FAX:86-512-50338608

MAIL:info@jolighting.com

WEB: www.jolighting.com

ADDRESS: Yishen Road 83, Shipai Town, Kunshan 215312 China



Customer Name:

Supplier Name: SuZhou Jolighting co.,Ltd

Product Name: LED Street Luminaire(NS-DL01109 16.5W-200W)

Effective Date:

Supplier		Customer confirmation	
prepared		OK <input type="checkbox"/>	
		NG <input type="checkbox"/>	
audit		audit	
approval		approval	

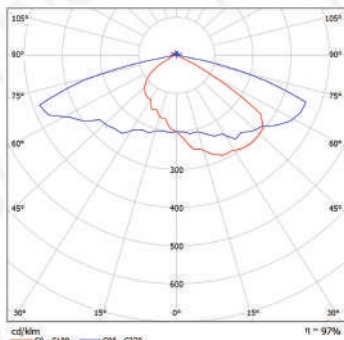
Both parties shall sign and seal the specification for approval after confirming it qualified.

1.Specification

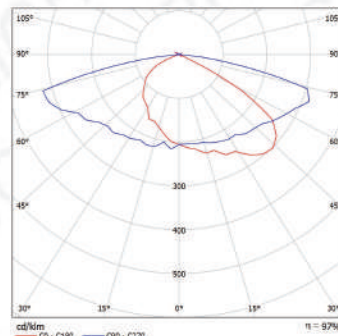
Product Code	NS-DL01109-16.5W	NS-DL01109-26W	NS-DL01109-53W	NS-DL01109-100W	NS-DL01109-130W	NS-DL01109-150W	NS-DL01109-200W
Chip Mode&Quantity	3030/5050	3030/5050	3030/5050	3030/5050	3030/5050	3030/5050	3030/5050
Color Temperature	4000K	4000K	4000K	4000K	4000K	4000K	4000K
LM70	>5000h	>5000h	>5000h	>5000h	>5000h	>5000h	>5000h
CRI	80+	80+	80+	80+	80+	80+	80+
Power	16.5W	26W	53W	100W	130W	150W	200W
Luminous Efficiency	135LM/W	135LM/W	135LM/W	135LM/W	135LM/W	135LM/W	135LM/W
Luminous Flux	2227.5LM	3510LM	7155LM	13500LM	17550LM	20250LM	27000LM
Driver Brand	Mean Well/JR	Mean Well/JR	Mean Well/JR	Mean Well/JR	Mean Well/JR	Mean Well/JR	Mean Well/JR
Beam Angle	Type 2\Type 3\Type 4	Type 2\Type 3\Type 4	Type 2\Type 3\Type 4	Type 2\Type 3\Type 4	Type 2\Type 3\Type 4	Type 2\Type 3\Type 4	Type 2\Type 3\Type 4
Power Input	120-277VAC 50/60HZ	120-277VAC 50/60HZ	120-277VAC 50/60HZ	120-277VAC 50/60HZ	120-277VAC 50/60HZ	120-277VAC 50/60HZ	120-277VAC 50/60HZ
Working Temp.	-40~+50°C	-40~+50°C	-40~+50°C	-40~+50°C	-40~+50°C	-40~+50°C	-40~+50°C
IP Rating	IP65	IP65	IP65	IP65	IP65	IP65	IP65
IK Rating	IK08	IK08	IK08	IK08	IK08	IK08	IK08
Life Time	60,000h	60,000h	60,000h	60,000h	60,000h	60,000h	60,000h
Warranty	5 Years	5 Years	5 Years	5 Years	5 Years	5 Years	5 Years
Switching Cycles	100000	100000	100000	100000	100000	100000	100000

Note:3000K/3500K/5000K/5700K/6500K can be customized upon request

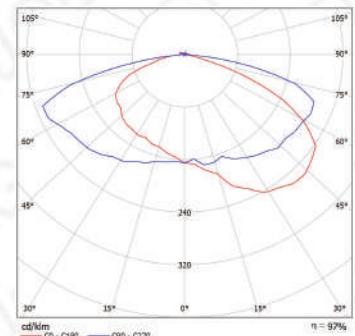
2.Light Distribution Curve



Type 2



Type 3

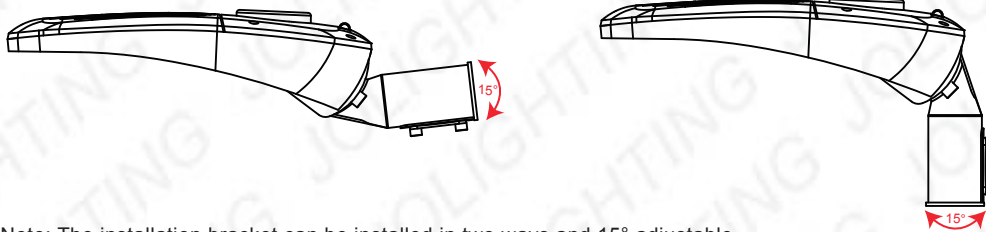


Type 4

3.Product Photos

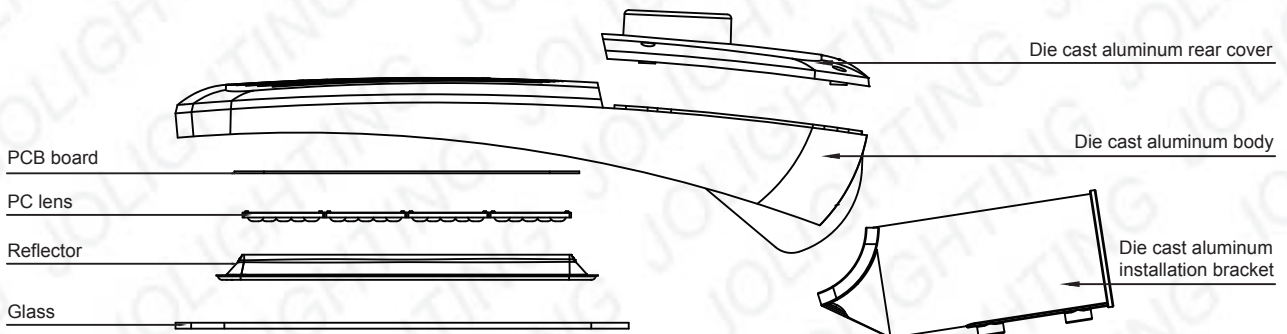


4.Light pole installation



Note: The installation bracket can be installed in two ways and 15° adjustable.

5.Product Explosion Diagram



All external mounting screws are stainless steel 304.

6.Product Basic Diagram

