



LED lighting
Professional Manufacturer

Specification For Approval



SUZHOU JOLIGHTING CO.,LTD

TEL:86-512-50338605

FAX:86-512-50338608

MAIL:info@jolighting.com

WEB:www.jolighting.com

ADDRESS: Yishen Road 83, Shipai Town, Kunshan 215312 China

AC - HV



Customer Name:

Supplier Name: SuZhou Jolighting co.,Ltd

Product Name: LED Flood Light(NS-TG04210 10W-400W)

Effective Date:

Supplier		Customer confirmation	
prepared		OK <input type="checkbox"/>	
		NG <input type="checkbox"/>	
audit		audit	
approval		approval	

Both parties shall sign and seal the specification for approval after confirming it qualified.

1. Specification

Product Code	NS-TG04210-10W	NS-TG04210-20W	NS-TG04210-30W	NS-TG04210-50W	NS-TG04210-70W	NS-TG04210-100W	NS-TG04210-150W	NS-TG04210-200W	NS-TG04210-300W	NS-TG04210-400W
Chip Model& Quantity	LG/Seoul Samsung	LG/Seoul Samsung	LG/Seoul Samsung	LG/Seoul Samsung	LG/Seoul Samsung	LG/Seoul Samsung	LG/Seoul Samsung	LG/Seoul Samsung	LG/Seoul Samsung	LG/Seoul Samsung
Color Temperature	5700K	5700K	5700K	5700K	5700K	5700K	5700K	5700K	5700K	5700K
LM90	>36000h	>36000h	>36000h	>36000h	>36000h	>36000h	>36000h	>36000h	>36000h	>36000h
CRI	80+	80+	80+	80+	80+	80+	80+	80+	80+	80+
Power	10W	20W	30W	50W	70W	100W	150W	200W	300W	400W
Luminous Efficiency	100LM/W	100LM/W	100LM/W	100LM/W	100LM/W	100LM/W	100LM/W	100LM/W	100LM/W	100LM/W
Luminous Flux	1000LM	2000LM	3000LM	5000LM	7000LM	10000LM	15000LM	20000LM	30000LM	40000LM
Beam Angle	120°	120°	120°	120°	120°	120°	120°	120°	120°	120°
Power Input	220-240VAC 50/60HZ	220-240VAC 50/60HZ	220-240VAC 50/60HZ	220-240VAC 50/60HZ	220-240VAC 50/60HZ	220-240VAC 50/60HZ	220-240VAC 50/60HZ	220-240VAC 50/60HZ	220-240VAC 50/60HZ	220-240VAC 50/60HZ
Working Temp.	-30-50°C	-30-50°C	-30-50°C	-30-50°C	-30-50°C	-30-50°C	-30-50°C	-30-50°C	-30-50°C	-30-50°C
IP Rating	IP65	IP65	IP65	IP65	IP65	IP65	IP65	IP65	IP65	IP65
Certification	CE	CE	CE	CE	CE	CE	CE	CE	CE	CE
Life Time	50000h	50000h	50000h	50000h	50000h	50000h	50000h	50000h	50000h	50000h
Warranty	3Years	3Years	3Years	3Years	3Years	3Years	3Years	3Years	3Years	3Years
Switching Cycles	100000	100000	100000	100000	100000	100000	100000	100000	100000	100000
Cable length	150mm	150mm	150mm	150mm	150mm	150mm	150mm	150mm	150mm	150mm
Accessory (optional)	PIR /PIR socket Anti-siphon connector	PIR /PIR socket Anti-siphon connector	PIR /PIR socket Anti-siphon connector	PIR /PIR socket Anti-siphon connector	PIR /PIR socket Anti-siphon connector	/	/	/	/	/
Accessories (standard)	/	/	/	/	/	Respirator	Respirator	Respirator	Respirator	Respirator

Note: 3000K/5000K/6500K can be customized upon request.

2. Installation method



3. Product Photos





JOLIGHTING

Specification For Approval

Accessories as below (optional):



4. Installation of PIR



Unscrew the PIR socket cap and keep it well

Pull out the short-circuit connector and keep it well

Plug PIR into socket and tighten PIR to socket

Set illumination and time

360 degree adjustment in horizontal direction

180 degree adjustment in vertical direction

PIR UNIT



PIR FUNCTION :

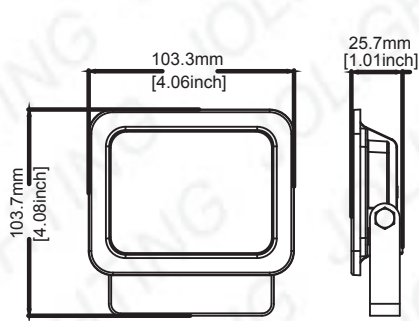
Can identify day and night: The consumer can adjust work ambient light. It can work in the daytime and at night when it is adjusted on the "sun" position (max). It can work in the ambient light less than 3LUX when it is adjusted on the "moon" position (min). As for the adjustment pattern, please refer to the testing pattern.

SENS adjustable: It can be adjusted according to using location; low sensitivity with 5m for detection distance; high sensitivity with 10m, it fits for large room.

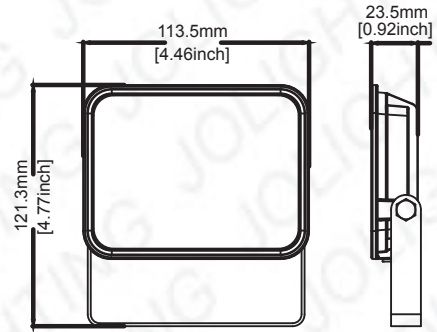
Time-delay is added continually: When it receives the second induction signals after the first induction, it will compute time once more on the rest of the first time-delay basic (set time).

Time-delay adjustment: It can be set according to the consumer's desire. The minimum time is 10sec±3sec. The maximum is 8min±2min.

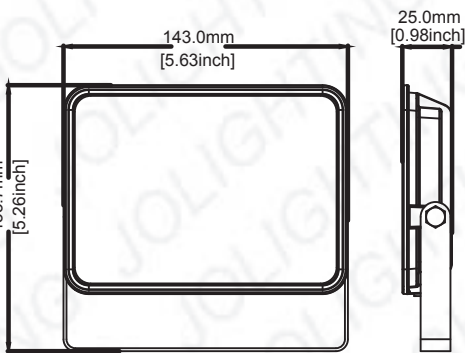
5.Product Basic Diagram



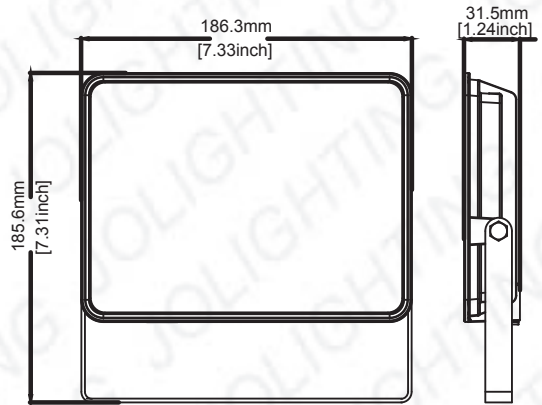
NS-TG04210-10W



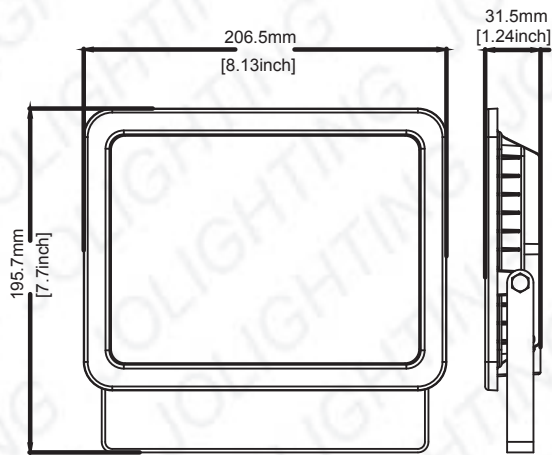
NS-TG04210-20W



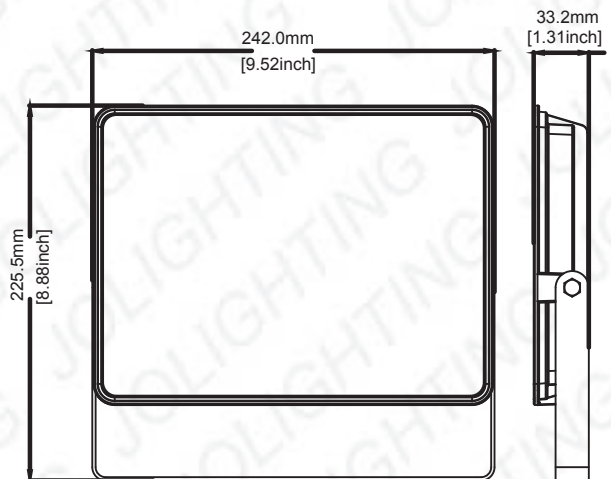
NS-TG04210-30W



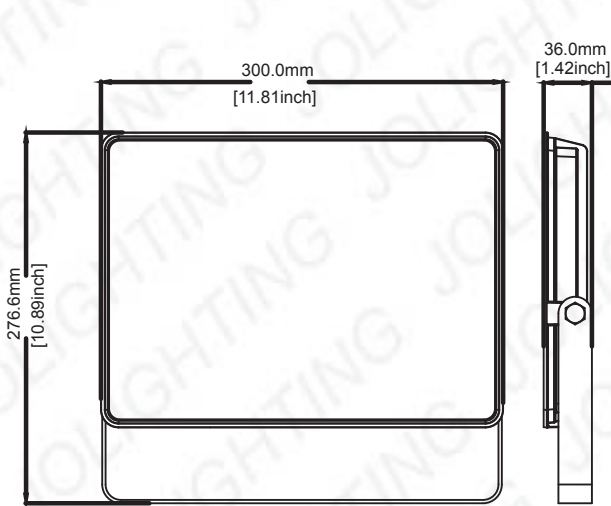
NS-TG04210-50W



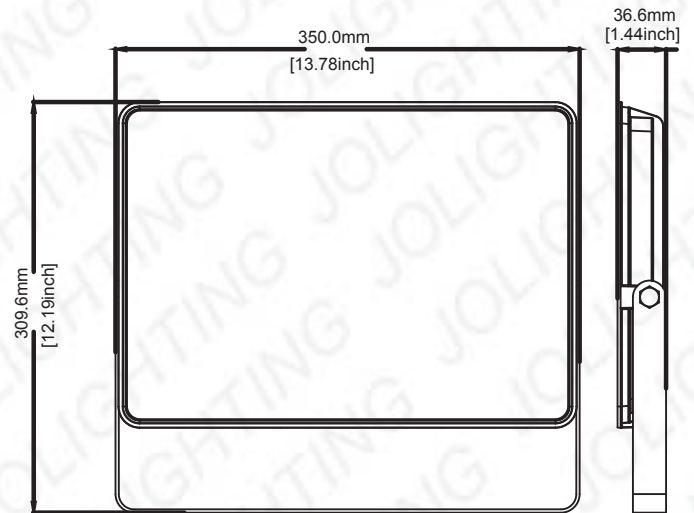
NS-TG04210-70W



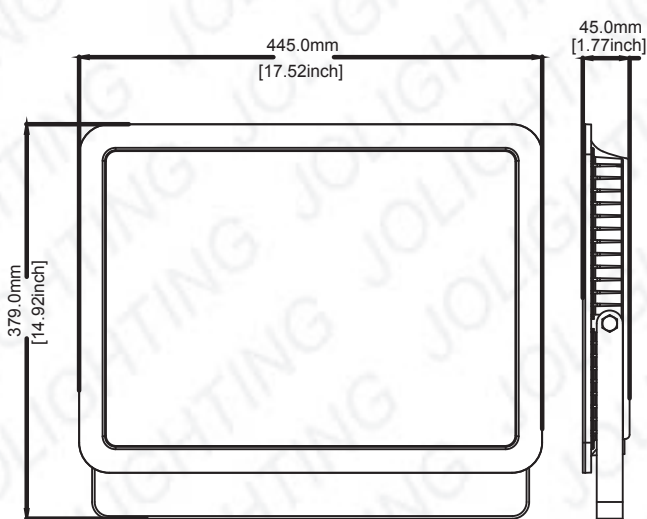
NS-TG04210-100W



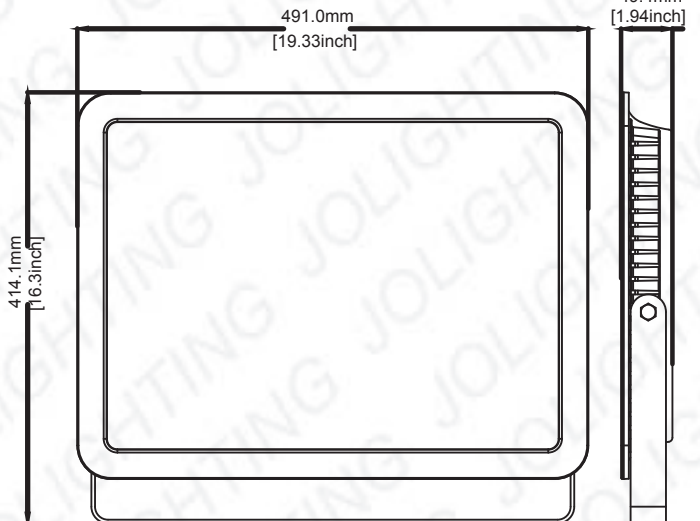
NS-TG04210-150W



NS-TG04210-200W



NS-TG04210-300W



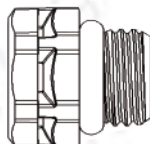
NS-TG04210-400W



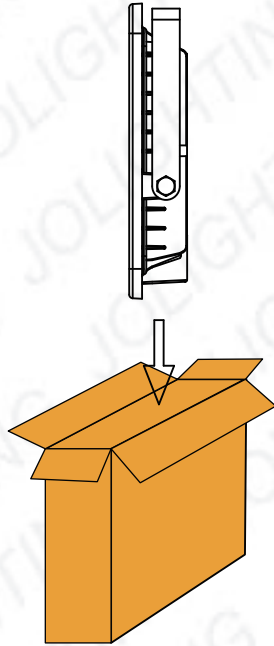
Anti-siphon connector



Respirator



6. Product Basic Diagram



Product Code	NS-TG04210-10W	NS-TG04210-20W	NS-TG04210-30W	NS-TG04210-50W	NS-TG04210-70W	NS-TG04210-100W	NS-TG04210-150W	NS-TG04210-200W	NS-TG04210-300W	NS-TG04210-400W
Packing size & Weight	354*239*219mm 40PCS/7.88kg	354*269*239mm 40PCS/10.40kg	354*342*274mm 40PCS/14.29kg	414*359*224mm 20PCS/13.81kg	414*359*234mm 20PCS/17.03kg	444*279*229mm 10PCS/11.51kg	339*229*264mm 5PCS/8.84kg	384*244*299mm 5PCS/11.59kg	465*355*70mm 1PCS/4.43kg	511*391*74mm 1PCS/6.06kg
Container Loading	20GP 5760PCS 40HC 138240PCS	20GP 46080PCS 40HC 112640PCS	20GP 30720PCS 40HC 69120PCS	20GP 16800PCS 40HC 36960PCS	20GP 16800PCS 40HC 36960PCS	20GP 10400PCS 40HC 22880PCS	20GP 6800PCS 40HC 20400PCS	20GP 4725PCS 40HC 12150PCS	20GP 2376PCS 40HC 5472PCS	20GP 2046PCS 40HC 4620PCS